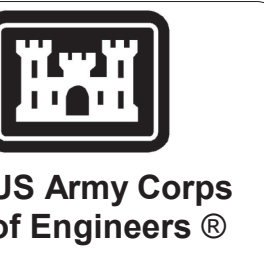


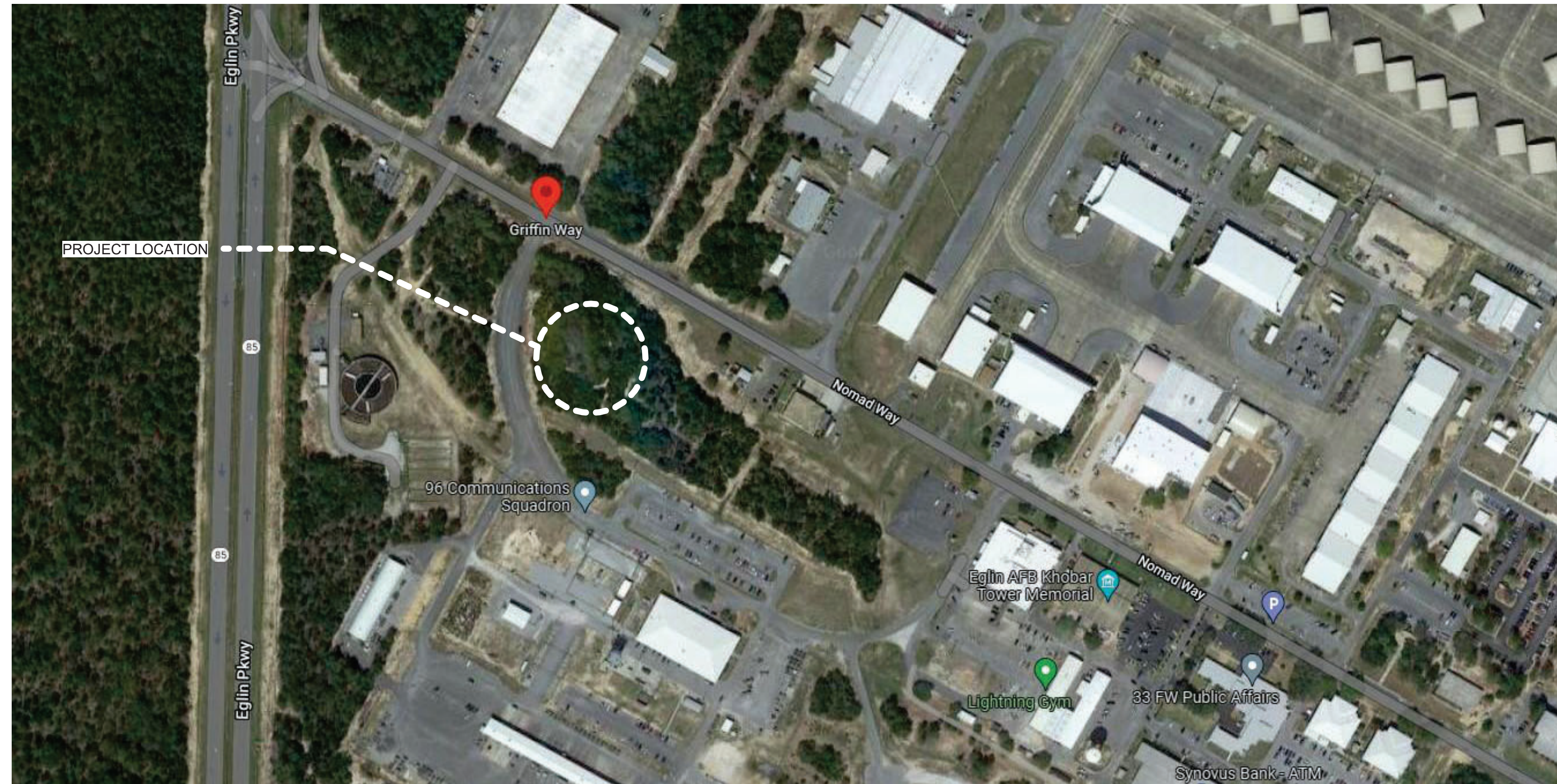


US Army Corps
of Engineers®
MOBILE DISTRICT



US Army Corps
of Engineers®

EGLIN AFB, FL
LRSO HARDWARE SOFTWARE DEVELOPMENT
FACILITY
TASK ORDER NO.: W9127823F0197



SOLICITATION NO.: W9127826RA012
CONTRACT NO.: W9127825R0036
ISSUE DATE: JANUARY 2026
VOLUME:

MARK	DESCRIPTION	DATE
1	AMND 0001 - ASUS PUMP SELECTION UPDATES	03/23/2026

DESIGNED BY: C. HILBRENNER	ISSUE DATE: JANUARY 2026
DRAWN BY: C. HILBRENNER	SOLICITATION NO.: W9127826RA012
CHECKED BY: D. SOSA	CONTRACT NO.: W9127825R0036
SUBMITTED BY: D. SOSA	
SIZE: ANSI D	

US ARMY CORPS OF ENGINEERS MOBILE DISTRICT 109 ST JOSEPH ST, MOBILE, AL 36602	KNIGHT ARCHITECTS, INC 4660 VILLAGE CT, ATLANTA, GA 30338
---	--

EGLIN AFB, FL LRSO HARDWARE SOFTWARE DEVELOPMENT FACILITY TASK ORDER NO.: W9127823F0197 COVER SHEET
--

SHEET ID G-001

AMENDMENT NO. 0003

FURNITURE, FIXTURES & EQUIPMENT SCHEDULE		
TAG	DESCRIPTION	QUANTITY
C1a	TASK CHAIR, GENERAL	46
C1b	TASK CHAIR, PRIVATE OFFICE	3
C3a	SIDE CHAIR, CONFERENCE, NESTING	5
C3b	SIDE CHAIR, BREAK ROOM	2
C3c	SIDE CHAIR, GENERAL, NESTING	6
C3d	LOUNGE CHAIR	1
C4	CONFERENCE CHAIR	12
CL1	WALL CLOCK, BATTERY OPERATED, ANALOG	14
FS1	FOOTSTOOL, UPHOLSTERED	1
GB1a	VISUAL DISPLAY BOARD, MAGNETIC, 48"W x 48"H	4
GB1b	VISUAL DISPLAY BOARD, MAGNETIC, MOBILE, 48"W x 54"H	4
GB2	VISUAL DISPLAY BOARD, MAGNETIC, 39"W x 48"H	4
GB3	VISUAL DISPLAY BOARD, MAGNETIC, 96"W x 48"H	1
H1	COAT HOOK, SINGLE HOOK. RE: SPECIFICATIONS	8
K1	COFFEE BREWER, COUNTERTOP. RE: MEP FOR COORDINATION	1
K2	MICROWAVE. RE: MEP FOR COORDINATION	1
M1	13"W x 49"H, POSTURE MIRROR. RE: SPECIFICATIONS	1
R1	REFRIGERATOR / FREEZER. RE: MEP FOR COORDINATION	1
R2	UNDERCOUNTER REFRIGERATOR. RE: MEP FOR COORDINATION	1
SH1	INDUSTRIAL SHELVING, WIRE	8
ST1	CREDENZA, MEDIA STORAGE	1
ST2a	LATERAL FILE, 5 HIGH	3
ST2b	LATERAL FILE, 2 HIGH	6
ST3	STORAGE CABINET, 2 DOOR	2
ST5	STORAGE WARDROBE UNIT	3
ST6	MOBILE BOX-FILE PEDESTAL	3
T1	CONFERENCE TABLE, POWERED	1
T2	TABLE, SQUARE	1
T3	TABLE, PRINTER	1

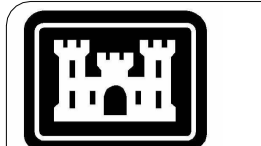
FURNITURE, FIXTURES & EQUIPMENT SCHEDULE		
TAG	DESCRIPTION	QUANTITY
WB1	WASTEBASKET	51
WB2	WASTEBASKET, 2- 38 GAL	1
WS1.A	99"W x 34"D STRAIGHT PANEL-BASED WORKSTATION, HT. ADJUSTABLE	2
WS2a.A	108"W x 102"D CORNER, PANEL-BASED WORKSTATION, HT. ADJUSTABLE	1
WS2b.A	105"W x 102"D CORNER, PANEL-BASED WORKSTATION, HT. ADJUSTABLE	1
WS3a.A	144"W x 102"D U-SHAPED, PANEL-BASED WORKSTATION, HT. ADJUSTABLE	1
WS3b.A	144"W x 99"D U-SHAPED, PANEL-BASED WORKSTATION, HT. ADJUSTABLE	1
WS4b	78"W x 34"D STRAIGHT, PANEL-BASED WORKSTATION	4
WS6	75"W x 75"D CORNER, PANEL-BASED WORKSTATION	2
WS7.A	56"D x66"W L-SHAPE, FREESTANDING WORKSTATION, HT. ADJUSTABLE	3
WS8a.A	105"W x 64"D U-SHAPE, PANEL-BASED WORKSTATION, HT. ADJUSTABLE	4
WS8b.A	105"W x 81"D U-SHAPE, PANEL-BASED WORKSTATION, HT. ADJUSTABLE	4
WS9a.A	123"W x 81"D U-SHAPE, PANEL-BASED WORKSTATION, HT. ADJUSTABLE	1
WS9b.A	123"W x 84"D U-SHAPE, PANEL-BASED WORKSTATION, HT. ADJUSTABLE	1
WS10a.A	90"W x 54"D U-SHAPE, PANEL-BASED WORKSTATION, HT. ADJUSTABLE	1
WS10b.A	87"W x 54"D U-SHAPE, PANEL-BASED WORKSTATION, HT. ADJUSTABLE	4
WS11a.A	114"W x 72"D L-SHAPE, PANEL-BASED WORKSTATION, HT. ADJUSTABLE	1
WS11b.A	108"W x 72"D L-SHAPE, PANEL-BASED WORKSTATION, HT. ADJUSTABLE	1
WS11c.A	114"W x 72"D L-SHAPE, PANEL-BASED WORKSTATION, HT. ADJUSTABLE	1
WS11d.A	114"W x 72"D L-SHAPE, PANEL-BASED WORKSTATION, HT. ADJUSTABLE	2
WS11e.A	108"W x 72"D L-SHAPE, PANEL-BASED WORKSTATION, HT. ADJUSTABLE	2
WS12	72"W x 30"D STRAIGHT, FREESTANDING, LAB WORKSTATION	12

GENERAL SHEET NOTES

- REFER TO FF&E PROCUREMENT DATA SHEETS AND SPECIFICATION 12 50 00.13 AND 12 59 00 FOR TECHNICAL INFORMATION.
- REFER TO SPECIFICATION 10 11 00 AND FF&E PROCUREMENT DATA SHEETS FOR VISUAL DISPLAY UNIT BOARDS. EQUIPMENT PROVIDED BY GOVERNMENT (GOVERNMENT FURNISHED/GOVERNMENT INSTALLED-GFGI), SHOWN DASHED AND HALF-TONED FOR REFERENCE ONLY.
- ALL FF&E PROVIDED AS A SEPARATE PACKAGE AS CFCI.

LEGEND

- DUPLEX POWER OUTLET
- QUADPLEX POWER OUTLET
- PHONE OUTLET
- DATA OUTLET
- FLOOR CORE OUTLET
- TWIST LOCK POWER RECEPTICLE
- TV PORT
- EMERGENCY POWER OFF



US Army Corps of Engineers

DATE	DESCRIPTION	MARK
04/10/2026	2 AMD 0003 - BIDDING RFI	

ISSUE DATE: JANUARY 2026	NO.:
DESIGNED BY: E. PETERS	CONTRACT NO.:
CHECKED BY: C. SMITH, B. HULON	W9127825R0036
SUBMITTED BY: D. SOSA	SIZE:

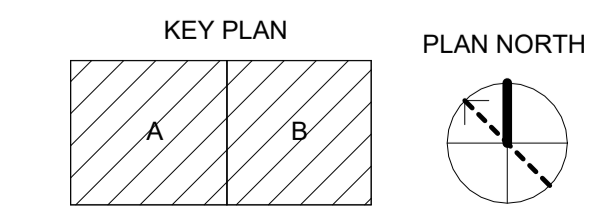
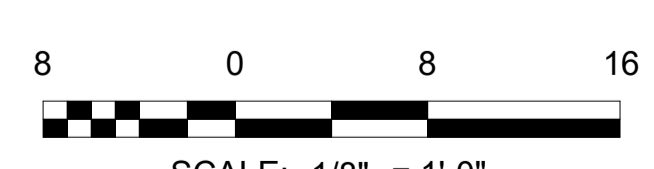
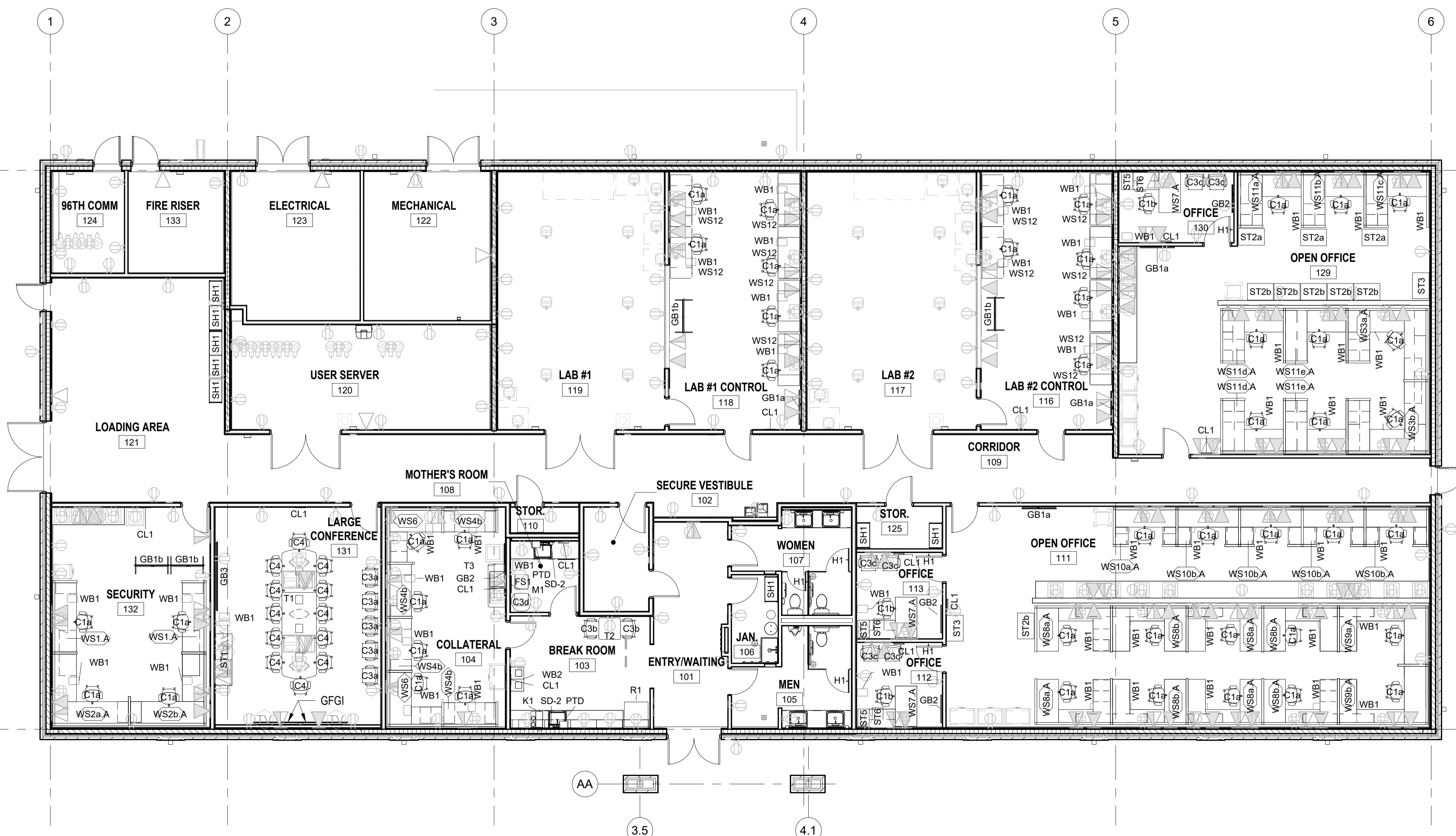
US ARMY CORPS OF ENGINEERS
MOBILE DISTRICT
109 ST JOSEPH ST, MOBILE, AL 36602

KNIGHT ARCHITECTS INC.
4660 VILLAGE CT, ATLANTA, GA 30338

EGLIN AFB, FL
LRSO HARDWARE SOFTWARE DEVELOPMENT FACILITY
TASK ORDER NO.: W9127825R0197

OVERALL FURNITURE PLAN

SHEET ID
IF101



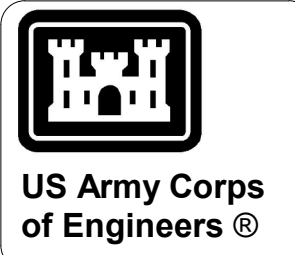
A1 LEVEL 1 - FURNITURE PLAN
SCALE: 1/8" = 1'-0"

GENERAL NOTES:

- REFER TO SHEET E-001 FOR ELECTRICAL ABBREVIATIONS. REFER TO T-001 FOR TELECOMMUNICATIONS LEGEND.

SHEET KEYNOTES:

- PRE-TERMINATED WORKSTATION MODULE AND CASSETTE: COORDINATE CONNECTOR COLORS WITH END USER.



US Army Corps of Engineers®

MARK	DESCRIPTION	DATE
2	AMD 0003 - BIDDING RFI	09/04/2026

DESIGNED BY: J. CASEY	ISSUE DATE: FEBRUARY 2026
DRAWN BY: T. GOODWIN	SOLICITATION NO.: W9127232F0197
CHECKED BY: D. FELCH	CONTRACT NO.: W9127232R0036
SUBMITTED BY: D. SOSA	
SIZE: ANSI D	

US ARMY CORPS OF ENGINEERS
MOBILE DISTRICT
109 ST JOSEPH ST, MOBILE, AL 36602

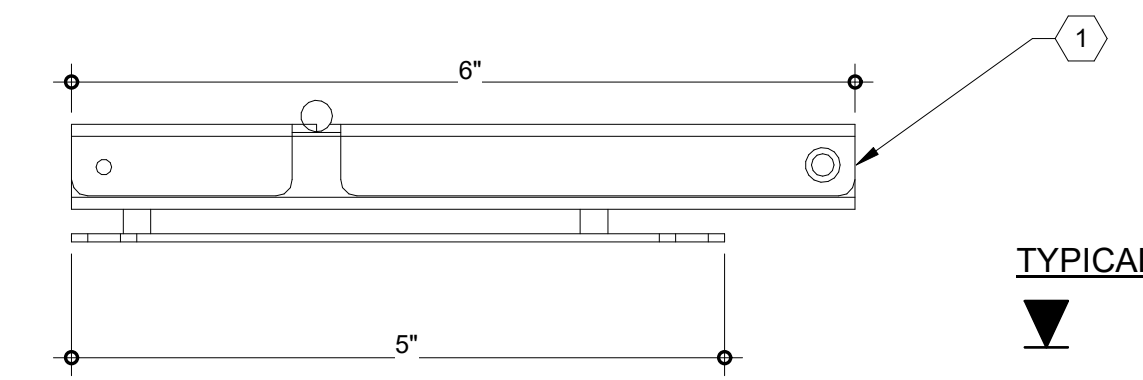
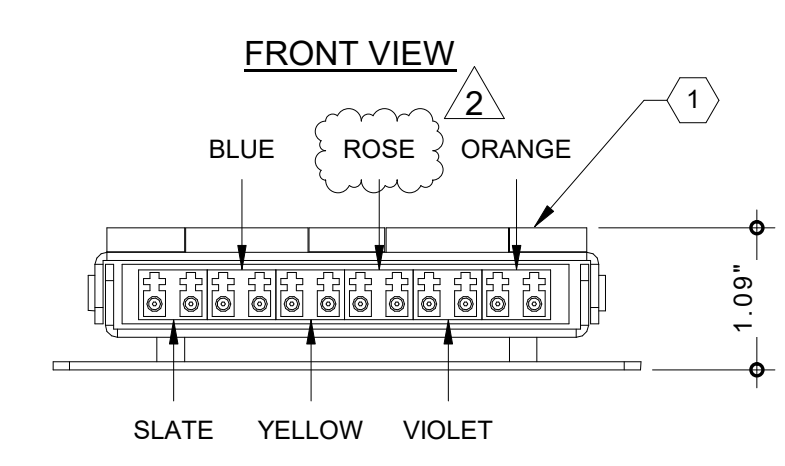
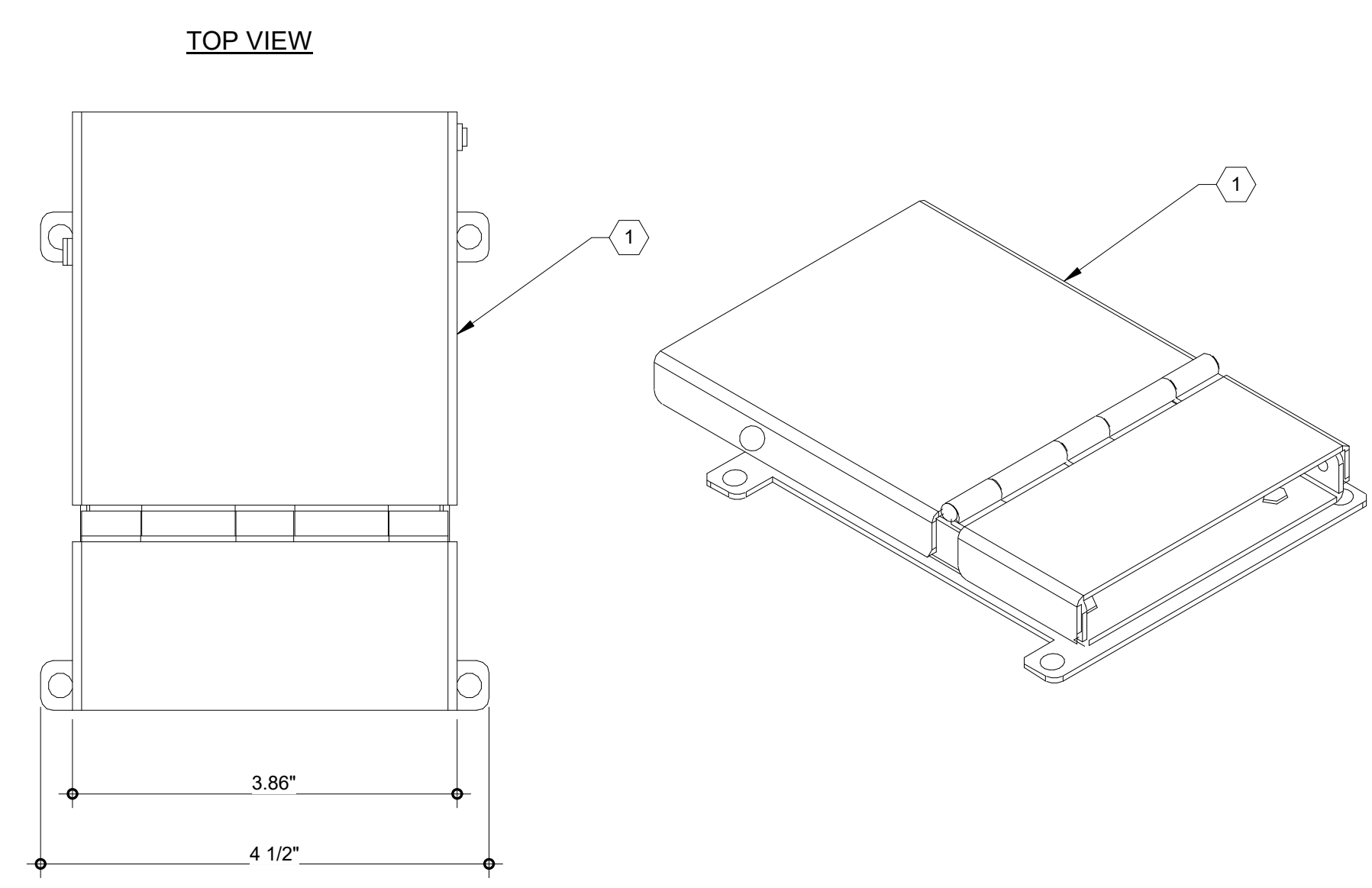
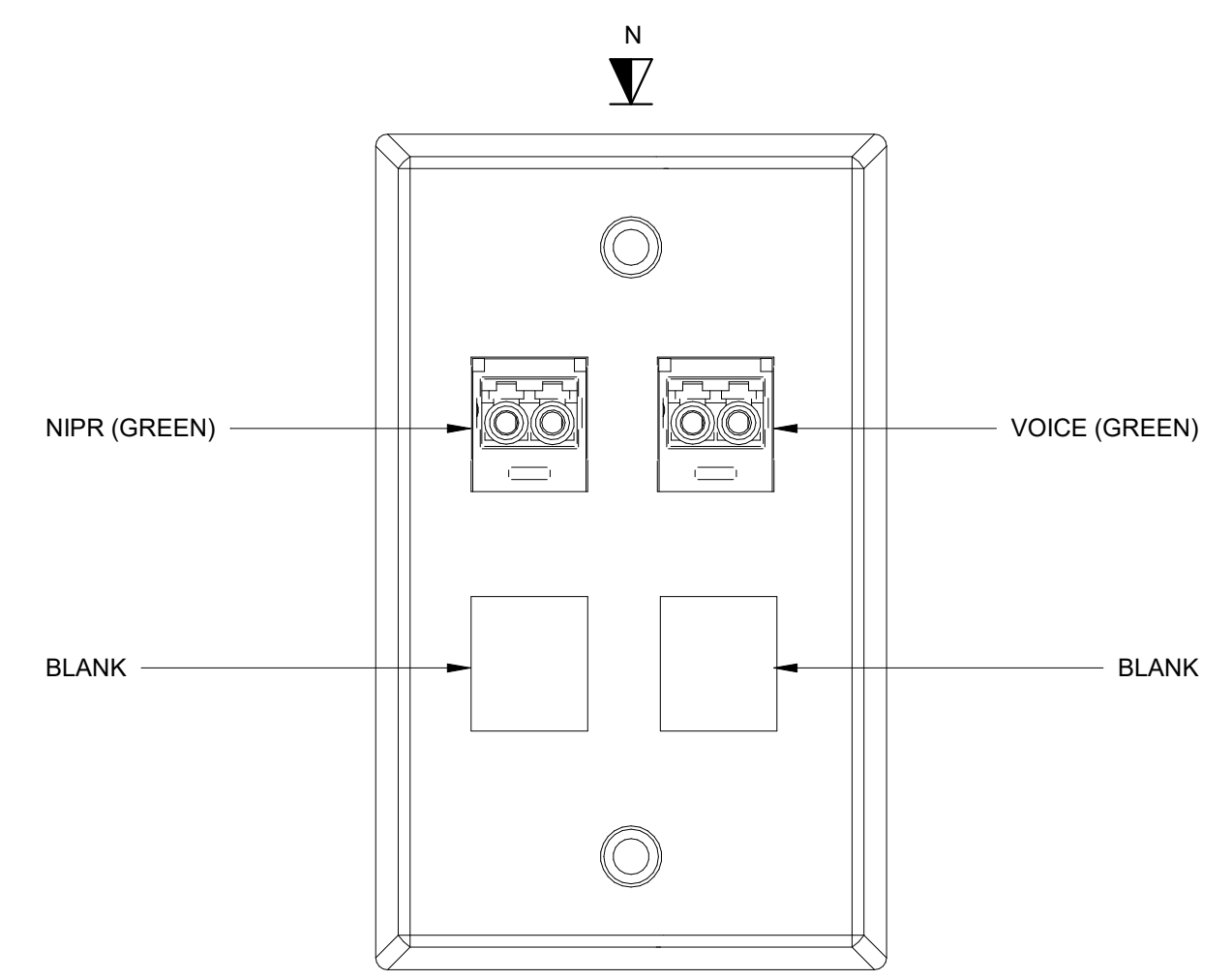
KNIGHT ARCHITECTS, INC.
4660 VILLAGE CT, ATLANTA, GA 30338

EGLIN AFB, FL
LRSO HARDWARE SOFTWARE DEVELOPMENT FACILITY
TASK ORDER NO.: W9127232F0197

TELECOMMUNICATIONS DETAILS

SHEET ID
T-501

Plot Date: 4/30/2026 3:25:50 PM File Path: \\hdhnet\docs\043407 - LRSO\Sign\48E\Sign Hardware\Submittals_ELEC_03.rvt



A1 NETWORK FACEPLATE DETAILS
SCALE: N.T.S.

A10 NETWORK FACEPLATE DETAIL - TYPE 2
SCALE: N.T.S.